

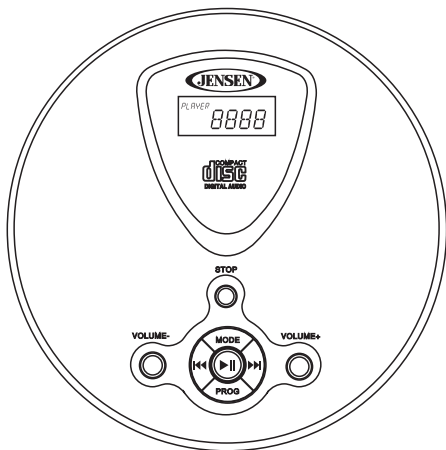


# audio

MODEL CD-60A

PERSONAL CD PLAYER WITH 60-SECOND  
Super Anti-Skip System

INSTRUCTION MANUAL



Please read this Instruction Manual carefully before using the unit and retain it for future reference

## DEAR JENSEN CUSTOMER

Selecting fine audio equipment such as the unit you've just purchased is only the start of your musical enjoyment. Now it's time to consider how you can maximize the fun and excitement your equipment offers. This manufacturer and the Electronic Industries Association's Consumer Electronics Group want you to get the most out of your equipment by playing it at a safe level. One that lets the sound come through loud and clear without annoying blaring or distortion and, most importantly, without affecting your sensitive hearing.

Sound can be deceiving. Over time your hearing "comfort level" adapts to higher volumes of sound. So what sounds "normal" can actually be loud and harmful to your hearing. Guard against this by setting your equipment at a safe level BEFORE your hearing adapts.

### **To establish a safe level:**

- Start your volume control at a low setting.
- Slowly increase the sound until you can hear it comfortably and clearly, and without distortion.

### **Once you have established a comfortable sound level:**

- Set the dial and leave it there.

Taking a minute to do this now will help to prevent hearing damage or loss in the future. After all, we want you listening for a lifetime.

### **We Want You Listening For a Lifetime**

Used wisely, your new sound equipment will provide a lifetime of fun and enjoyment. Since hearing damage from loud noise is often undetectable until it is too late, this manufacturer and the Electronic Industries Association's Consumer Electronics Group recommend you avoid prolonged exposure to excessive noise.

### **Customer's Record:**

The serial number of this product is found on its bottom cover. You should note the serial number of this unit in the space provided as a permanent record of your purchase to aid in identification in the event of theft or loss.

**Model Number:** CD-60A

**Serial Number:** \_\_\_\_\_

## WARNING

### CLASS 1 LASER PRODUCT

CLASS 1 LASER PRODUCT  
APPAREIL LASER DE CLASSE 1  
PRODUCTO LASER DE CLASE 1

**CAUTION**  
INVISIBLE LASER RADIATION  
WHEN OPEN AND INTERLOCKS  
DEFEATED.  
AVOID EXPOSURE TO BEAM



This product contains a low power laser device.

## SAFETY PRECAUTIONS

1. As the laser beam used in this compact disc player is harmful to the eyes, do not attempt to disassemble the casing.
2. Stop operation immediately if any liquid or solid object should fall into the cabinet. Unplug the unit and have it checked by qualified personnel.
3. Do not touch the lens or poke at it. If you do, you may damage the lens and the player may not operate properly.
4. Do not put anything in the safety slot. If you do, the laser diode will be ON when the lid is still opened.
5. If the unit is not to be used for a long period of time, make sure that all power sources are disconnected from the unit. Remove all batteries from the battery compartment, and unplug the AC adaptor from the wall outlet. Make it a practice to remove the AC adaptor by grasping the main body and not by pulling the cord.
6. This unit employs a laser. The use of controls or adjustment or performance of procedures other than those specified herein may result in exposure to hazardous radiation.

## COMPLIANCE WITH FCC REGULATIONS

This equipment has been tested and found to comply with the limits for a Class B digital device, pursuant to Part 15 of the FCC Rules. These limits are designed to provide reasonable protection against harmful Interference in a residential installation. This equipment generates, uses and can radiate radio frequency energy and, if not installed and used in accordance with the instructions, may cause harmful interference to radio communications. However, there is no guarantee that interference will not occur in a particular installation. If this equipment does cause harmful

interference to radio or television reception, which can be determined by turning the equipment off and on, the user is encouraged to try to correct the interference by one or more of the following measures:

- Reorient or relocate the receiving antenna.
- Increase the separation between the equipment and receiver.
- Connect the equipment into an outlet on a circuit different from that to which the receiver is connected.
- Consult the dealer or an experienced radio technician for help.

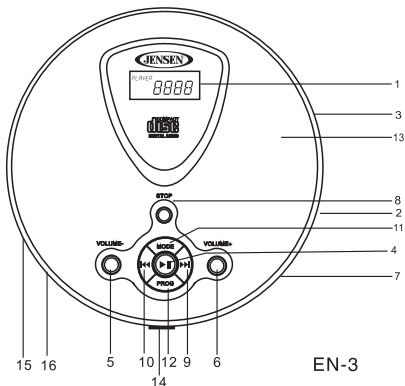
### WARNING

Changes or modifications to this unit not expressly approved by the party responsible for compliance could void the user's authority to operate the equipment.

### IMPORTANT NOTE

1. This product does not contain a separate Power On / Off switch. After inserting a disc and installing batteries / AC adaptor, simply press the Play button to switch on and play a disc.
2. In order to maximize battery life and provide optimum playing time this product incorporates an Auto Power Off function. The power to the player will automatically switch off approximately 30 seconds after a disc has finished playing or when the CD lid is opened.

### LOCATION OF CONTROLS



1. LCD Display
2. DC Power Jack
3. Battery Compartment Cover (bottom)
4. Play/Pause Button ►||
5. Volume-
6. Volume+
7. Headphones Jack
8. Stop/Power Off Button
9. Next Button ►►|
10. Previous Button |◄◄
11. Mode Button
12. Program Button
13. CD Door
14. CD DOOR RELEASE
15. BBS ON/OFF Switch
16. HOLD ON/OFF Switch

## POWER SOURCE

This CD player operates on two 1.5V DC 'AA' size (UM-3) alkaline batteries (not included) or with an AC adaptor with an output of 4.5VDC/700mA (not included).

### **To install batteries into the player**

1. Open the battery compartment cover located on bottom of cabinet.
2. Insert two 1.5V DC 'AA' size (UM-3) alkaline batteries (not included) into the Battery Compartment following the polarity markings as indicated in the compartment.
3. Close the battery door



### **Battery care**

- i. Be sure that the batteries are installed correctly. Wrong polarity may damage the unit.
- ii. (a) Do not mix old and new batteries.  
(b) Do not mix alkaline, standard (carbon-zinc) or rechargeable (nickel-cadmium) batteries.
- iii. If the unit is not to be used for an extended period of time, remove the batteries. Old or leaking batteries can cause damage to the unit and may void the warranty.
- iv. Never attempt to charge "Non-rechargeable" batteries.
- v. Do not dispose of batteries in fire, batteries may explode or leak.

### **Using an adaptor (not included) to power the player**

1. Before connecting the adaptor to the player, make sure that the AC voltage of the adaptor corresponds to your local AC outlet voltage. The polarity of the adaptor must match to the polarity markings next to the DC jack on the player.
2. Plug the 4.5VDC/700mA AC-DC adaptor into an AC outlet.
3. Insert the DC plug into the jack on the player.



**NOTE:** When the adaptor is connected, the batteries will be automatically disconnected and the player will now operate on the adaptors power. Once the adaptor is unplugged the player will automatically switch to back to battery power.

## EARBUDS CONNECTION

Connect the plug of the stereo earbuds (included) into the PHONES socket.

### CAUTION

- **AVOID EXCESSIVE VOLUME LEVELS FOR LONG PERIODS OF TIME WHEN USING THE HEADPHONES. PROLONGED USE AT HIGH LEVELS MAY IMPAIR YOUR HEARING.**
- **Do not use earbuds while operating a motorized vehicle, as it may create a traffic hazard and is illegal in many areas.**

## BASIC OPERATION

**NOTE:** This unit can also play 3 inch (8cm) single CDs without an adaptor. Do not use a CD single adaptor for these smaller discs.

1. Slide the "HOLD" switch to "OFF".
2. Slide the CD DOOR RELEASE to the right to open the CD door.
3. Insert a disc with the label side facing up.
4. Close the CD Lid. A click will be heard when it locks into place.
5. Press the PLAY/PAUSE ►|| button once to start playing.
6. The display will show the total number of tracks and playing time. The player will then start playing the first track.
7. Press the volume by Pressing the Volume Control+/- Button.

### Locating a Particular Track

To skip back to the beginning of the current or a previous track	Press ◀◀ once or repeatedly.
To skip to the beginning of following tracks	Press ▶▶ once or repeatedly.

### Locating a Particular Point in a Track

To search back at a high speed	Press & hold ◀◀
To search forward at a high speed	Press & hold ▶▶

### To Enhance the Bass Sound

Set the BBS switch to the ON position.

**NOTE: The bass boost performance will be increase or decrease depending on the Volume level.**

### Turning Power On and Off

To turn ON and OFF, press the following buttons after a disc is inserted into the player.

To turn ON: Press PLAY/PAUSE ►II button (playback starts)

To turn OFF: Press STOP button once for standby mode.

Press STOP button again to turn off the power.

### **Auto power-off function**

When the unit is stopped (Standby mode) for approximately 30 seconds, the power is automatically turned off.

### **To Remove a Disc**

1. Slide the CD DOOR RELEASE to the right to open the CD compartment door.
2. Hold the CD by the edges and gently press the center spindle, then remove the disc.

**CAUTION: WAIT FOR THE DISC TO STOP SPINNING BEFORE SLIDING THE CD DOOR RELEASE AND OPENING THE CD DOOR.**

## **LCD DISPLAY INFORMATION**

### **At initial start up**

- The display will show "60sec" then, "--" and then the total number of tracks and total playing time. The disc will start playing and the display will show the first track number and instant playing time.
- To review the total number of tracks and total playing time of the disc, press the STOP button once.


### **During PLAY mode**

- The track number and the elapsed time are displayed.

### **During PAUSE mode**

- When the track playback is paused, the elapsed time flashes.

### **Battery Low Indicator**

The Battery Low Indicator  will appear in the display when the batteries need to be changed.

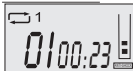
## **VARIOUS PLAYBACK MODES**

### **NORMAL PLAYBACK**

The whole disc is played and the player will stop after the last track is finished.

Every time the **MODE** button is pressed, the corresponding mode appears in the display window, in the following sequence:

**REPEAT 1** In stop or playback mode press the MODE Button once.



When shown on the LCD display, the current track on the disc will be repeated.

**REPEAT ALL** In stop or playback mode , press the **MODE** Button twice.



When shown in the LCD display, all tracks on the disc will be repeated.

To cancel the Repeat Function, press the **MODE** Button repeatedly until "01" or "ALL" disappears.

### **INTRODUCTORY SCAN**

To play the first 10 seconds of each track on the disc.

1. In **STOP** mode press the **MODE** button three times, **INTRO** is displayed.
2. Press **▶||** button to start **INTRO** play from track number 01.
3. If **INTRO** mode is selected during play, **INTRO** will start flashing in the display.
4. Press **▶||** button. **INTRO** stops flashing and **INTRO** play starts from track 01.
5. Press **▶|** to start **INTRO** play from next track.
6. Press **◀|** to start **INTRO** play from current track.
7. To cancel **INTRO** play, press **▶||** again. Playback continues on current track.



### **RANDOM**

Enables all the tracks on the disc to be played in a Random sequence.



1. In **STOP** mode press the **MODE** button four times, **RANDOM** Indicator, "SHUFF", will be displayed.
2. Press **▶||** button. A track is selected at random and playback begins.
3. If **RANDOM** mode is selected during play, "SHUFF" will appear and flash in the LCD Display.
4. Press **◀|** or **▶|** button once. "SHUFF" stops flashing and **RANDOM** playback begins.
5. Press the **MODE** Button again to return to normal play mode

## **PROGRAMMED PLAY**

Programs can be set in either the **STOP** or normal play mode.

1. Press the **PROG** button once, **PROG** No. 01 appears. **PROG** and Track No. **00** start flashing in the display.
2. Press **◀|** or **▶|** to select the desired track.
3. When the desired track is displayed, press the **PROG** button to register. The **PROG** No. changes to **02**. Track No. returns to **00** and flashes together with **PROG**.

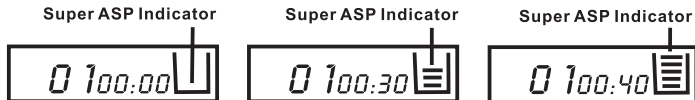




- Repeat steps 2 and 3 to program more tracks.  
Up to 20 tracks can be programmed into the memory.
- Press ►|| to start the programmed play.
- To erase the program, in STOP mode simply press the STOP button.

## SUPER ANTI-SKIP PROTECTION

This player incorporates an electronic anti-skip circuit which prevents interruption of the sound output if the unit is subjected to shock, vibration or rolling during disc playback. The anti-shock system will automatically be activated when a disc is played. The □ icon will show in the display at start up. The ■ icon appears indicating the data buffer is full and the anti shock system is most effective.



Once the buffer is full, it will give you approximately 60 seconds of protection against interruption of sound output. If the player is subjected to shock or rolling for longer than the buffer memory, some interruption of sound output will occur. This is normal and to be expected and the sound will resume once the player has stabilized from the shock or rolling disturbance.

### Notes:

The Anti-skip function provides for continuous sound output when the unit is subjected to shock or vibration. It will not compensate for errors arising from the use of defective, scratched or dirty discs.

## PLAYER MAINTENANCE

### Cleaning the Cabinet

Wipe with a soft cloth. If the cabinet is very dirty, dampen the cloth with a weak solution of neutral detergent and water, and then wipe clean.

### Cleaning the Lens

A dirty lens will cause sound skipping and, if the lens is very dirty, the CD may not work. Never touch the lens with your finger or press down on the lens assembly. Damage may occur or you may scratch the lens. Open the disc cover and clean the lens as follows:

#### Dust or Dry Particles

Using a camera lens brush/blower, blow on the lens a couple of times, then wipe it lightly with the brush to remove dust. Then, blow on the lens once more.

## DISC CLEANING AND TROUBLESHOOTING GUIDE

### Cleaning the Disc

When a disc becomes dirty, clean it with a cleaning cloth. Wipe the disc from the centre out.



### Note

Do not use solvents such as benzene petrol, thinner, commercially available cleaners or anti-static spray intended for analogue discs.

## TROUBLESHOOTING GUIDE

Should you experience difficulties in the use of this player please refer to the following chart or call 1-800-777-5331 for Customer Service.

Troubleshooting Guide	
Problem	Points to Check
Player fails to function	Disc may be inserted upside down Disc not mounted correctly on chuck Dirty or defective disc Dirty pick up lens Player lid not closed Moisture/Condensation, allow player to warm up to room temperature for 60 minutes AC power to adaptor switched off Weak batteries Auto switch off has occurred
No sound from Headphones	Headphone plug is not firmly inserted into the Phones socket.
Intermittent sound	Dirty or defective disc Dirty pick up lens Player is subject to excessive vibration or shock Low battery power Poor Headphone connection



At Spectra, environmental and social responsibility is a core value of our business. We are dedicated to continuous implementation of responsible initiatives with an aim to conserve and maintain the environment through responsible recycling.

Please visit us at <http://www.spectraintl.com/green.htm> for more information on Spectra's green initiatives or to find a recycler in your area.

## **90 DAY LIMITED WARRANTY AND SERVICE VALID IN THE U.S.A ONLY**

SPECTRA MERCHANDISING INTERNATIONAL, INC. warrants this unit to be free from defective materials or factory workmanship for a period of 90 days from the date of original customer purchase and provided the product is utilized within the U.S.A. This warranty is not assignable or transferable. Our obligation under this warranty is the repair or replacement of the defective unit or any part thereof, except batteries, when it is returned to the SPECTRA Service Department, accompanied by proof of the date of original consumer purchase, such as a duplicate copy of a sales receipt.

You must pay all shipping charges required to ship the product to SPECTRA for warranty service. If the product is repaired or replaced under warranty, the return charges will be at SPECTRA's expense. There are no other express warranties other than those stated herein.

This warranty is valid only in accordance with the conditions set forth below:

1. The warranty applies to the SPECTRA product only while:
  - a. It remains in the possession of the original purchaser and proof of purchase is demonstrated.
  - b. It has not been subjected to accident, misuse, abuse, improper service, usage outside the descriptions and warnings covered within the user manual or non-SPECTRA approved modifications.
  - c. Claims are made within the warranty period.
2. This warranty does not cover damage or equipment failure caused by electrical wiring not in compliance with electrical codes or SPECTRA user manual specifications, or failure to provide reasonable care and necessary maintenance as outlined in the user manual.
3. Warranty of all SPECTRA products applies to residential use only and is void when products are used in a nonresidential environment or installed outside the United States.

This warranty gives you specific legal rights, and you may also have other rights which vary from state to state. TO OBTAIN SERVICE please remove all batteries (if any) and pack the unit carefully and send it freight prepaid to SPECTRA at the address shown below. IF THE UNIT IS RETURNED WITHIN THE WARRANTY PERIOD shown above, please include a proof of purchase (dated cash register receipt) so that we may establish your

eligibility for warranty service and repair of the unit without cost. Also include a note with a description explaining how the unit is defective. A customer service representative may need to contact you regarding the status of your repair, so please include your name, address, phone number and email address to expedite the process.

IF THE UNIT IS OUTSIDE THE WARRANTY PERIOD, please include a check for \$15.0 to cover the cost of repair, handling and return postage. All out of warranty returns must be sent prepaid.

It is recommended that you contact SPECTRA first at 1-800-777-5331 or by email at [custserv@spectraintl.com](mailto:custserv@spectraintl.com) for updated information on the unit requiring service. In some cases the model you have may be discontinued, and SPECTRA reserves the right to offer alternative options for repair or replacement.

SPECTRA MERCHANDISING INTERNATIONAL, INC.  
4230 North Normandy Avenue,  
Chicago, IL60634, USA.  
1-800-777-5331

To register your product, visit the link on the website below to enter your information.

[Http://www.spectraintl.com/wform.htm](http://www.spectraintl.com/wform.htm)

0412

Printed In China